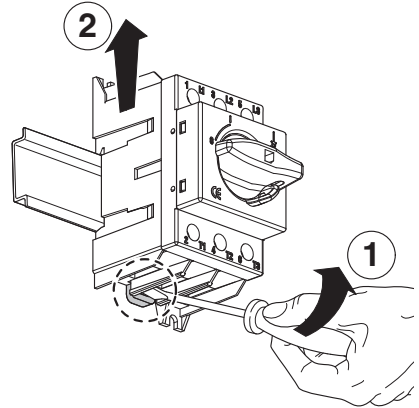
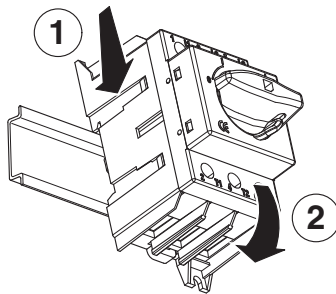


## SWITCH-DISCONNECTORS

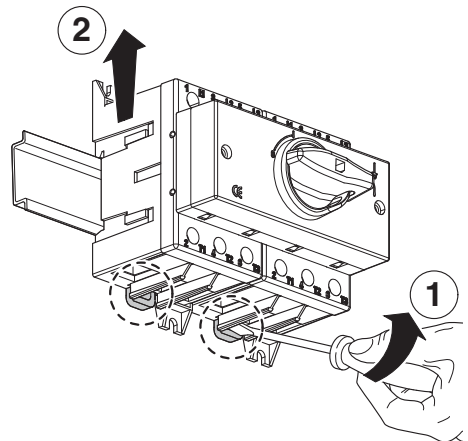
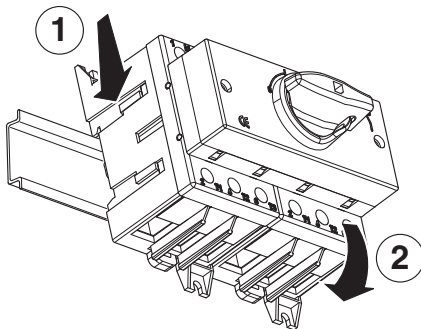
100÷160A 3P-3P+N

16÷160A 6P-8P

3P-3P+N



6P-8P



**InfoTECH**

ITALY


WORLDWIDE

Numero Verde

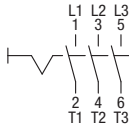
**800-018009**

ScameOnLine

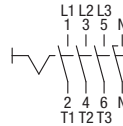
[www.scame.com](http://www.scame.com)  
[infotech@scame.com](mailto:infotech@scame.com)

		16÷40A 6P-8P	100A - 3P-3P+N 63-80-100A - 6P-8P	125-160A 3P-3P+N-6P-8P
Wire range		1.5÷16mm <sup>2</sup>	10-50mm <sup>2</sup>	10-70mm <sup>2</sup>
Tightening torque	Terminal screws	2Nm	3.5Nm	6Nm
	Fixing screws	1.2Nm	1.2Nm	1.2Nm
Wire strip length		10mm	13mm	15mm

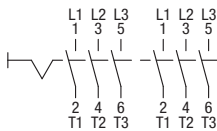
3 POLES



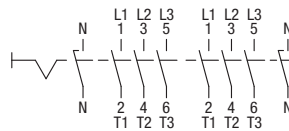
3P+N POLES



6P POLES



8P POLES

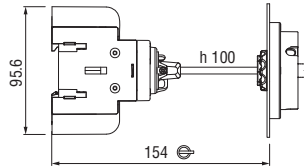
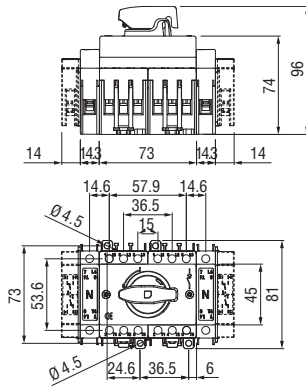


### ATTENTION

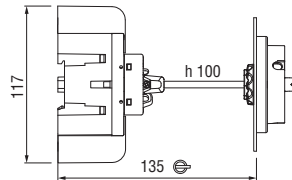
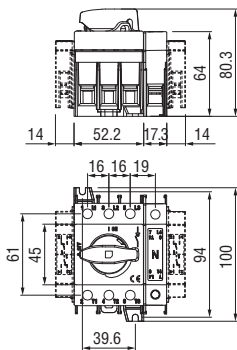
When mounting or removing additional elements the switch **has to be in OFF position** for avoiding damages to mechanism.

When removing main switch following instruction for avoiding damages.

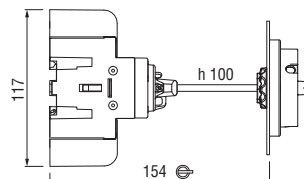
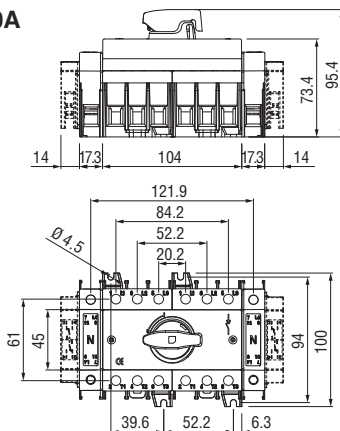
**16÷40A  
6-8P**



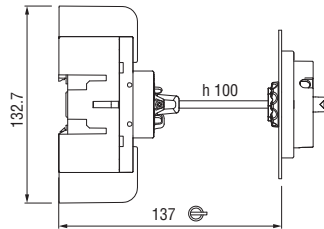
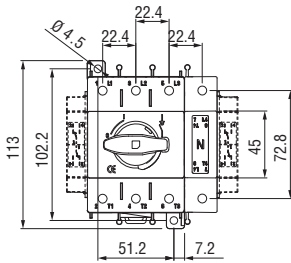
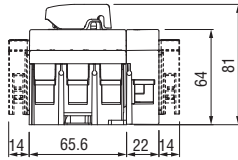
**100A  
3P-3P+N**



**63- 80-100A  
6P-8P**



**125 - 160A  
3P-3P+N**



**125 - 160A  
6P-8P**

